

MK05

COMPACT MOTORS



T E C H N I C A L C A T A L O G



Methodology :

This document is intended for manufacturers of machines that incorporate Poclain Hydraulics products. It describes the technical characteristics of Poclain Hydraulics products and specifies installation conditions that will ensure optimum operation. This document includes important comments concerning safety. They are indicated in the following way:



Safety comment.

This document also includes essential operating instructions for the product and general information. These are indicated in the following way:



Essential instructions.



General information .



Information on the model number. Information on the model code.



Weight of component without oil.



Volume of oil.



Units.



Tightening torque.



Screws.



Information intended for Poclain-Hydraulics personnel.

The views in this document are created using metric standards.
The dimensional data is given in mm and in inches (inches are between brackets and italic)





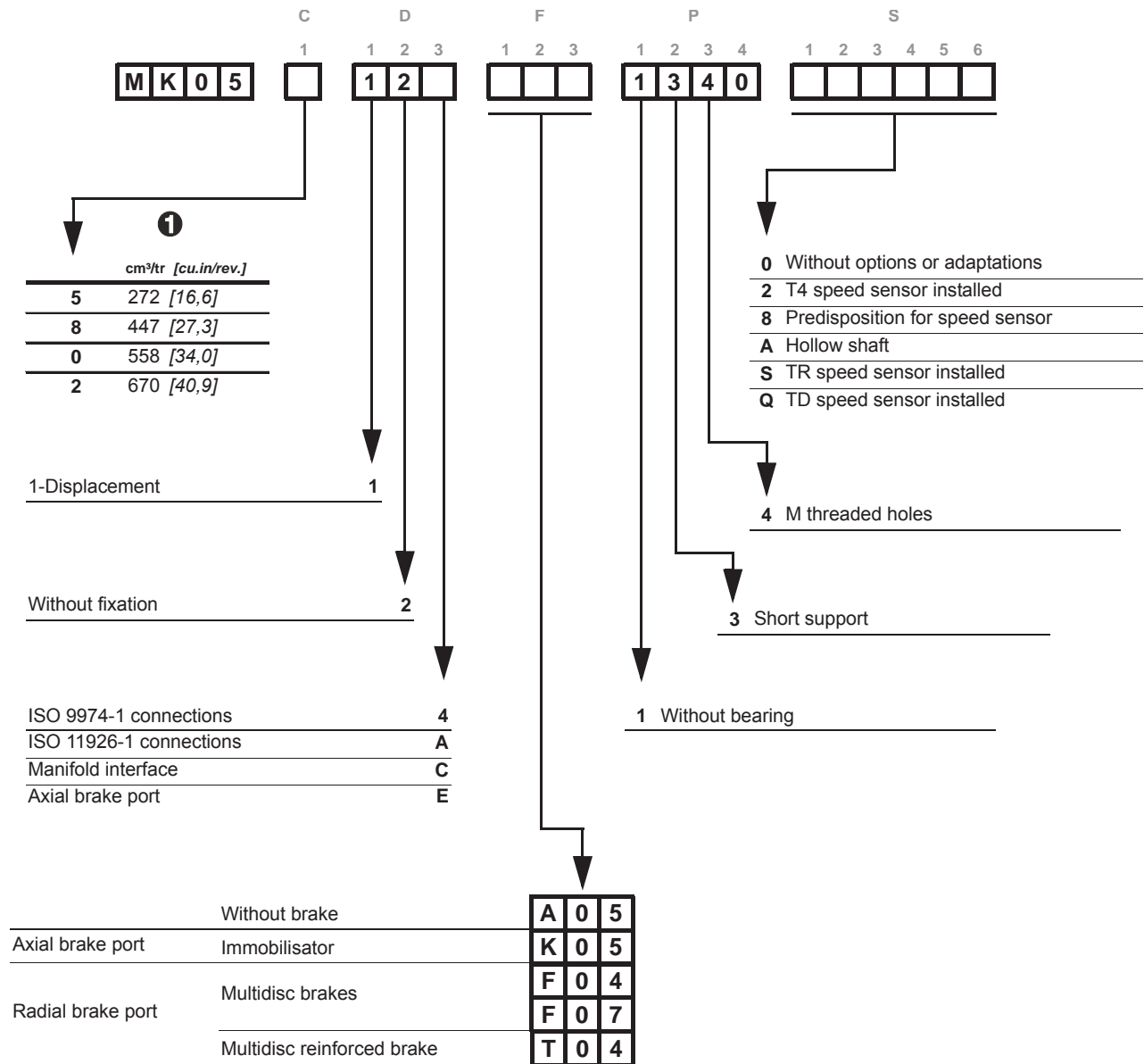
CONTENT

MODEL CODE	5	Model code
→		
CHARACTERISTICS	7	Characteristics
Dimensions for standard 1-displacement motor	7	
Collar retaining screw	7	
Dimensions for standard 1-displacement motor	8	
Dimensions for standard 1-displacement motor	8	
Collar retaining screw	9	
Efficiency	10	
Chassis mounting	11	
Installation constraints	12	
Hydraulic connections	13	
Brakes	14	
Immobilisator	15	
OPTIONS	17	Options
→		

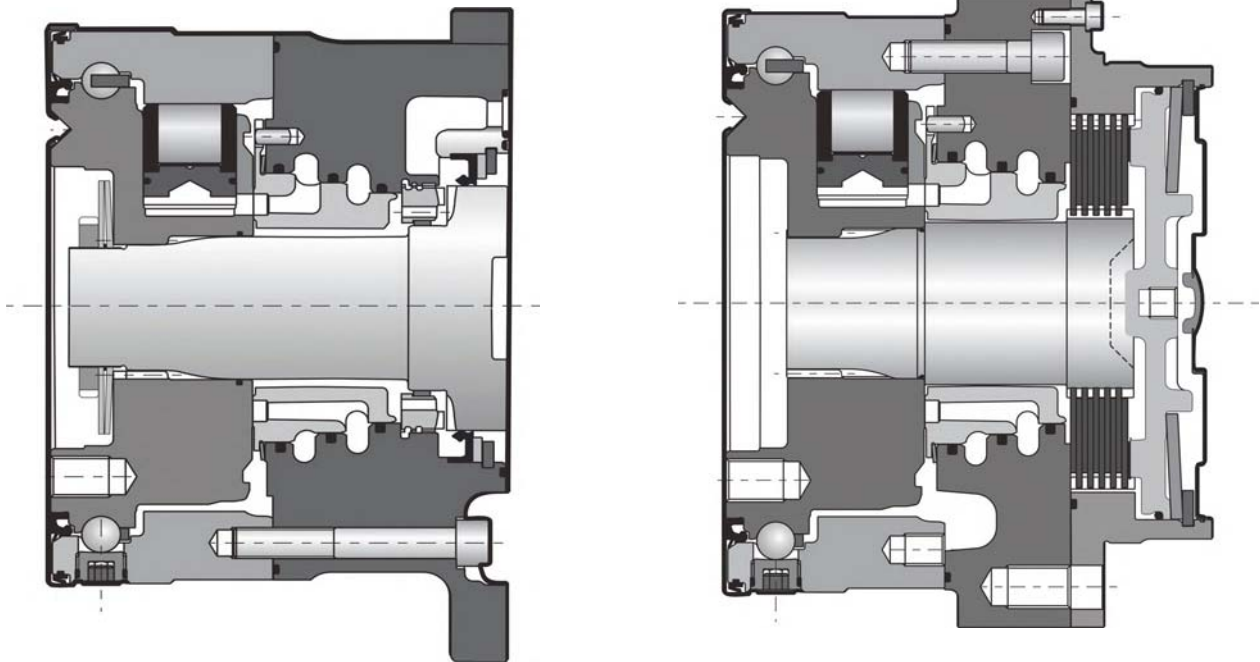




MODEL CODE



Model code
Characteristics
Options



Motor Inertia 0.1 kg.m²

C	① cm ³ /tr [cu.in./rev.]	Theoretical torque		Max. power ① kW [HP] 22,5 [30]	Max. speed ① tr/min [RPM] 130 80 65 55	Max. pressure ① bar [PSI] 400 [5 800]
		at 100 bar Nm	at 1000 PSI [lb.ft]			
5	272 [16,6]	432	[220]			
8	447 [27,3]	711	[361]			
0	558 [34,0]	887	[451]			
2	670 [40,9]	1 065	[542]			

① First displacement

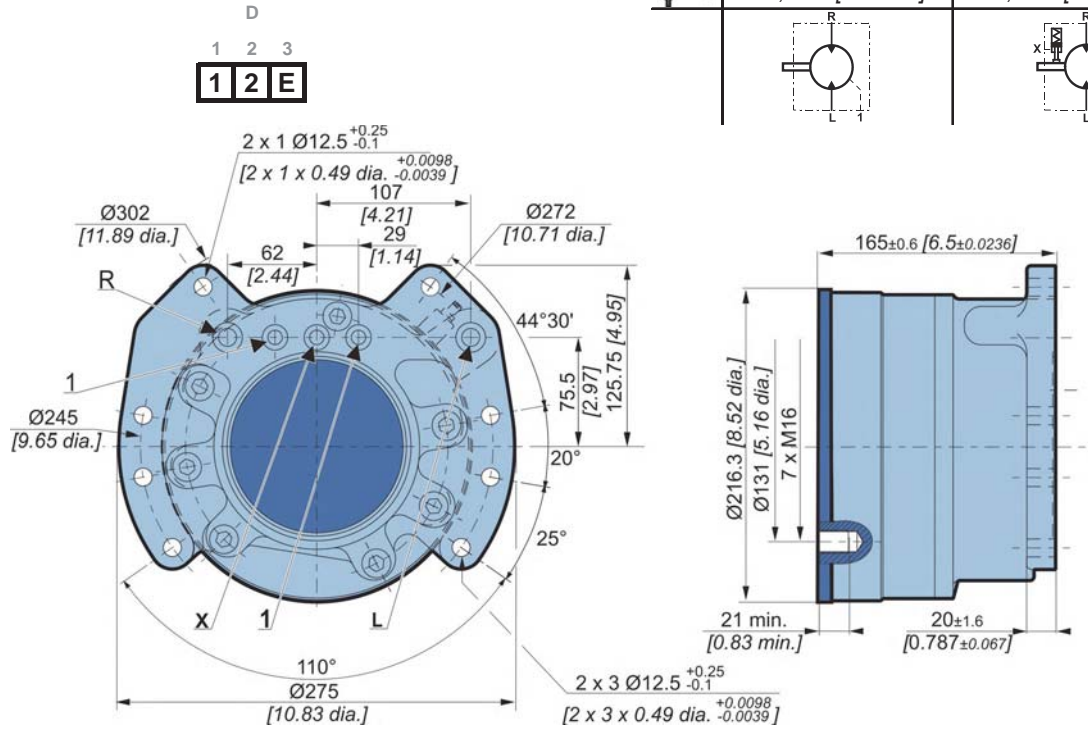


CHARACTERISTICS

	C	D	F	P	S
	1	1 2 3	1 2 3	1 2 3 4	1 2 3 4 5 6
M K 0 5	<input type="checkbox"/>	<input type="checkbox"/> <input type="checkbox"/> <input type="checkbox"/>	<input type="checkbox"/> <input type="checkbox"/> <input type="checkbox"/>	<input type="checkbox"/> <input type="checkbox"/> <input type="checkbox"/> <input type="checkbox"/>	<input type="checkbox"/> <input type="checkbox"/> <input type="checkbox"/> <input type="checkbox"/> <input type="checkbox"/> <input type="checkbox"/>

Dimensions for standard 1-displacement motor

	35 kg [77 lb]	35 kg [77 lb]
	1,00 L [60 cu.in]	1,00 L [60 cu.in]



Collar retaining screw

	Classe	N.m		[lb.ft]
4 x M10 x 1.5	10,9	69		[51]

(*) The tightening torques are given for the indicated loads.

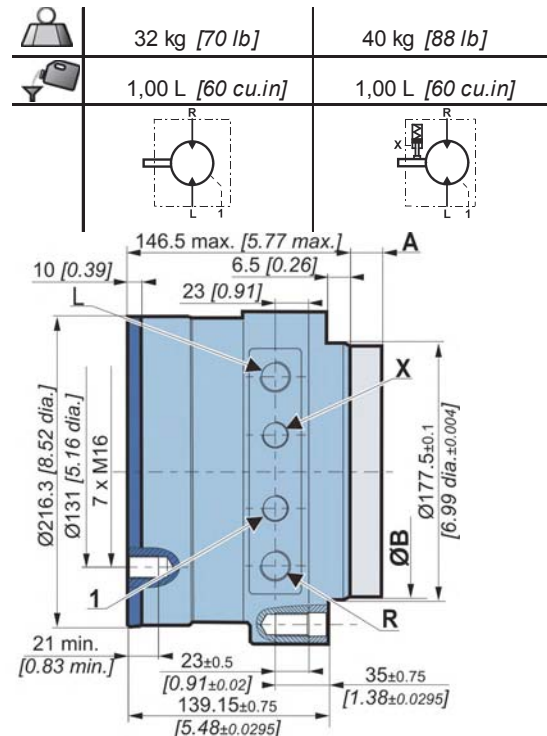
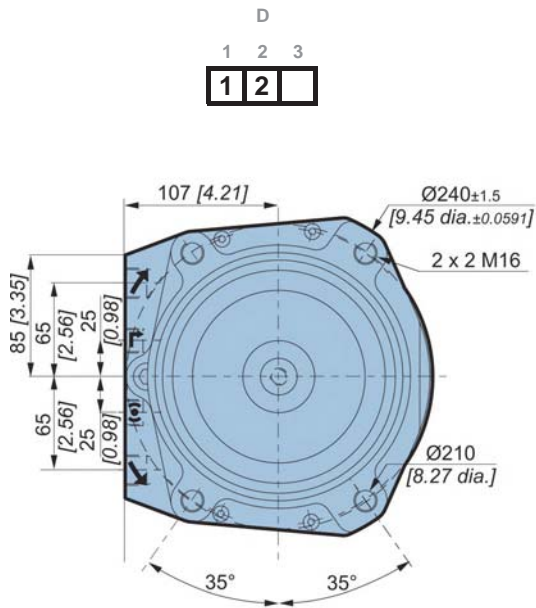
Model code

Characteristics

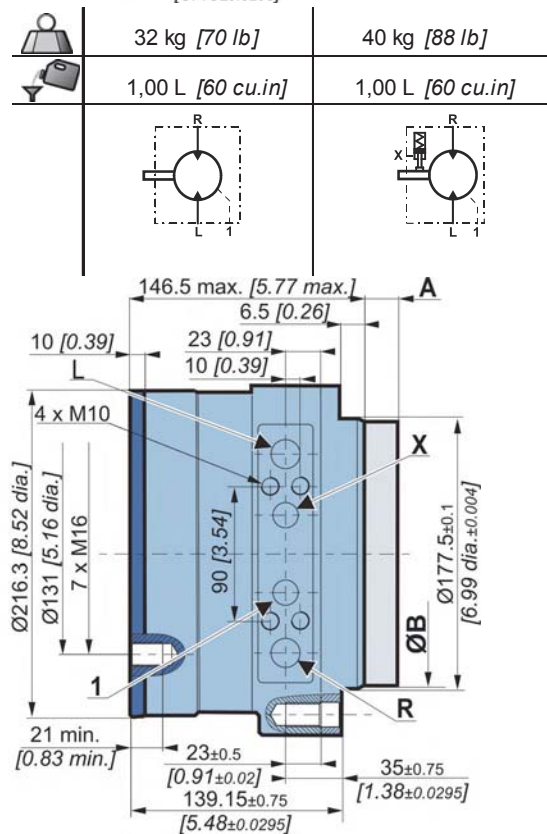
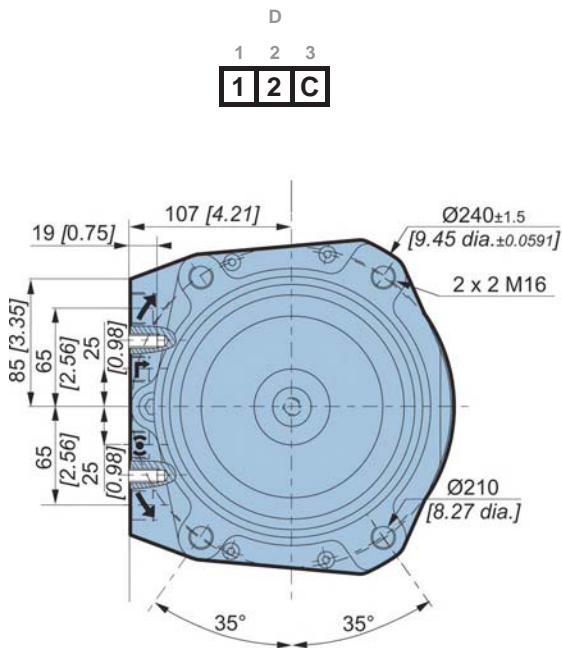
Options



Dimensions for standard 1-displacement motor



Dimensions for standard 1-displacement motor





	C	F04	F07	T04
	A	38,6 [1,52]	57 [2,24]	42,5 [1,67]
	ØB	177,5 [6,99]	177,5 [6,99]	177,5 [6,99]



Also see 'Brakes' section.



Collar retaining screw

	Classe	N.m	 [lb.ft]
7 x M16 x 2	10,9	295	[218]

(*) The tightening torques are given for the indicated loads.

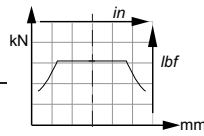
Load curves

Permissible radial loads

Max. permissible loads: 0 tr/min [0 RPM]; 0 bar [0 PSI]

Continuous permissible loads:

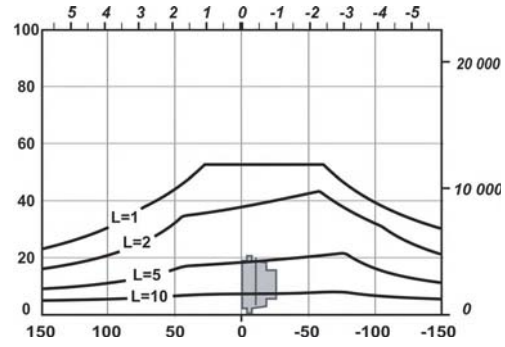
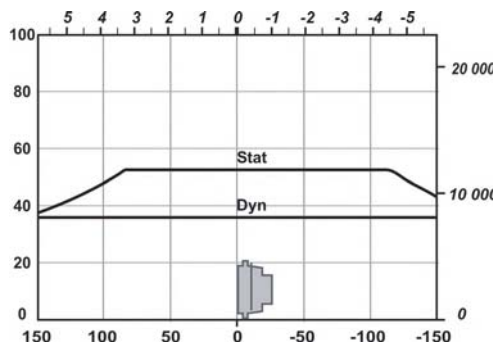
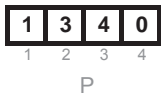
> 0 tr/min [> 0 RPM]; 275 bar [3 988 PSI].



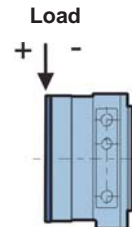
Service life of bearings

Test conditions :

L : Millions B10 revolutions at 150 bars (average pressure), with 25 cSt fluid, code 0 displacement, without axial load.



The service life of the components is influenced by the pressure. You must check that the combination of forces applied (Axial load / Radial load) is compatible with the permissible loads for the components, and that the resulting service lives of these components complies with the application's specifications. For an accurate calculation, consult your Poclain Hydraulics application engineer.



Model code

Characteristics

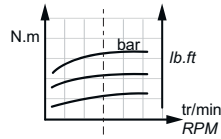
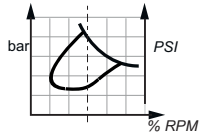
Options



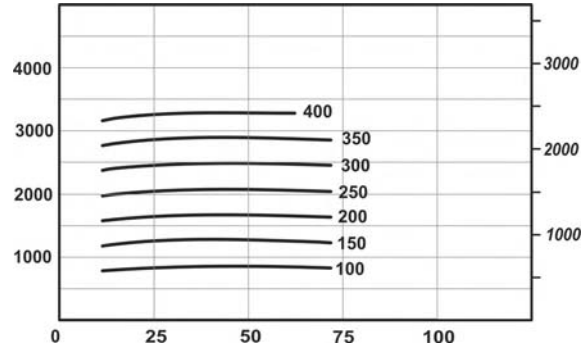
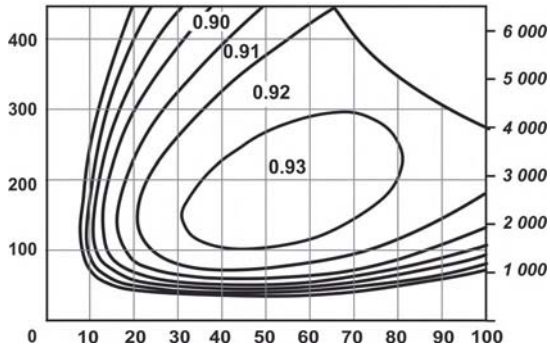
Efficiency

Overall efficiency

Average values given for guidance for code 0 displacement after 100 hours of operation with HV46 hydraulic fluid at 50°C [122°F].



Actual output torque



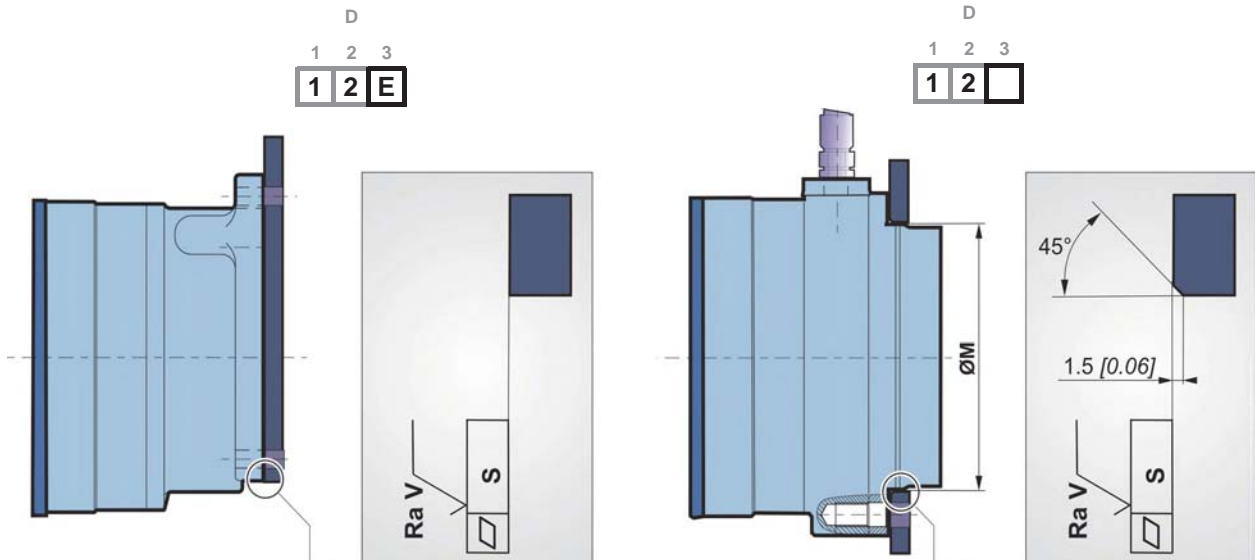
For a precise calculation, consult your Poclain Hydraulics application engineer.



Chassis mounting

C 1 D 1 2 3 F 1 2 3 P 1 2 3 4 S 1 2 3 4 5 6

M K 0 5



	ØM mm [in]	S mm [in]	Ra V µm [µin]		Class of screw	 N.m [lb.ft]
E	- -	0,1 [0,004]	2,5 [0,10]	8 x M12 x 1.75	10,9	120 [89]
	177,5 [6,99] (1)	0,2 [0,01]	12,5 [0,49]	2 x 2 x M16 x 2	10,9	295 [218]

(1) + 0.3 [+0.0118]
+ 0.2 [-0.0078]

Model code

Characteristics

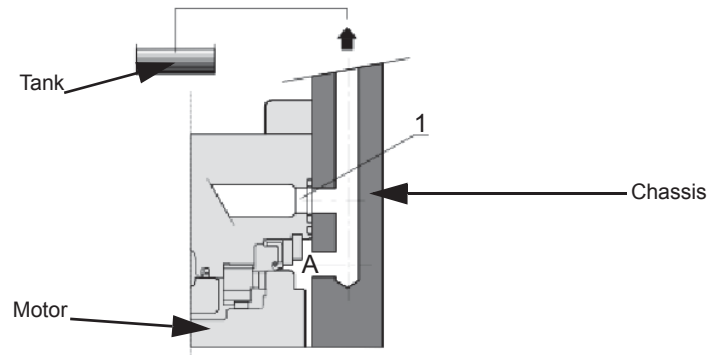
Options



Installation constraints

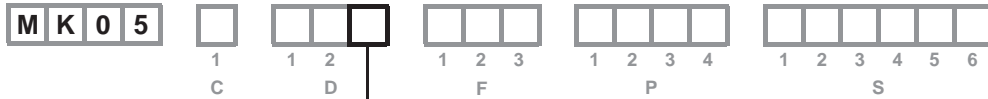
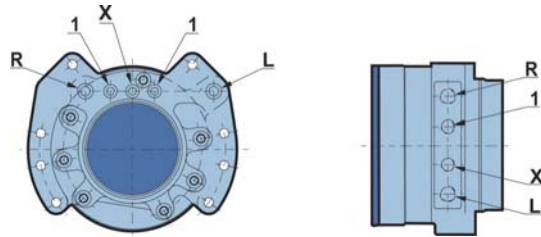


Sealing chamber A between the brake and the face of the motor mounting must be connected to the drain-line (1), to avoid possible disturbance to the smooth running of the motor. This does not concern hollow-shaft motors.





Hydraulic connections



	Old standards	Standards	Power supply R,L	Drainage 1	Control of brake X
A	SAEJ514	ISO 11 926-1	7/8" - 14 UNF	3/4" - 16 UNF	9/16" - 18 UNF
4	DIN 3 852 NFE 48 050	ISO 9 974-1	M22 x 1.5	M18 x 1.5	M16 x 1.5
C	mm		14	10	10
	[in]		[0,55]	[0,39]	[0,39]
E	mm		12,5	12,5	12,5
	[in]		[0,49]	[0,49]	[0,49]



To find the connections' tightening torques, see the brochure "Installation guide" N° 801478197L.

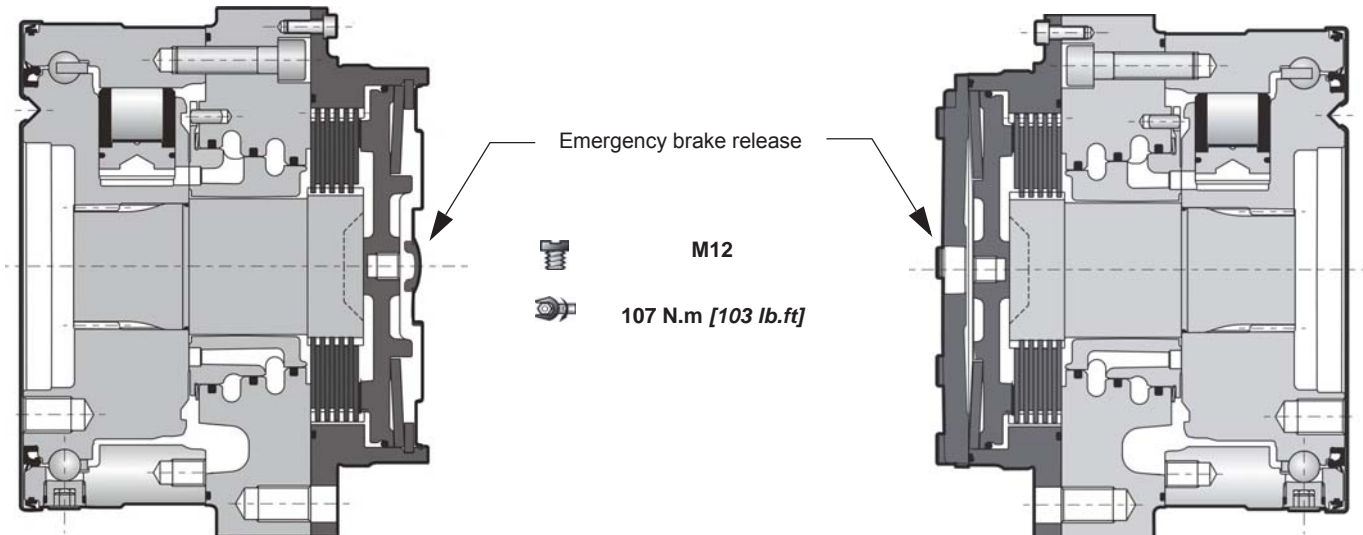
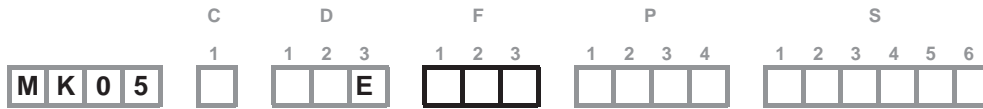


You are strongly advised to use the fluids specified in brochure "Installation guide" N° 801478197L.

Model code

Characteristics

Options

**Brakes****Brake principle**

This is a multidisc brake which is activated by a lack of pressure. The spring exerts a force on the piston, which presses on the fixed and mobile discs, and immobilizes the shaft. The braking torque decreases in linear proportion to the brake release pressure.

C	F04	F07	T04
Parking brake torque with 0 bars in the housing (new brake)	3 500 N.m [2 580 lb.ft]	7 000 N.m [5 160 lb.ft]	3 600 N.m [2 660 lb.ft]
Emergency dynamic braking torque with 0 bars in the housing (gives a maximum of 10 emergency braking operations)	2 275 N.m [1 680 lb.ft]	4 600 N.m [3 390 lb.ft]	2 340 N.m [1 730 lb.ft]
Residual parking torque at 0 bars in the housing*	2 625 N.m [1 940 lb.ft]	5 250 N.m [3 870 lb.ft]	2 700 N.m [1 990 lb.ft]
Minimum brake release pressure	14 bar [203,1 PSI]	18 bar [261,1 PSI]	16,5 bar [239,3 PSI]
Maximum brake release pressure	30 bar [435,1 PSI]	30 bar [435,1 PSI]	30 bar [435,1 PSI]
Capacity	0 cm ³ [0,0 cu.in]	0 cm ³ [0,0 cu.in]	0 cm ³ [0,0 cu.in]
Brake release capacity	15 cm ³ [0,9 cu.in]	24 cm ³ [1,5 cu.in]	16,5 cm ³ [1,0 cu.in]

* After being used as emergency brake

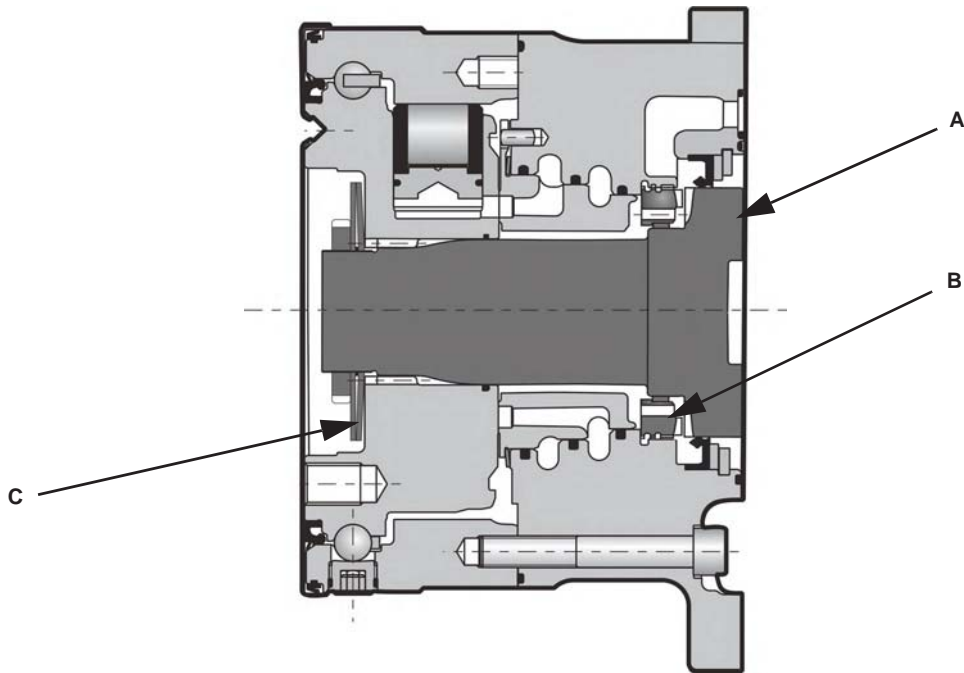


Do not run-in the multidisc brakes.



Immobilisator

	C	D	F	P	S
	1	1 2 3	1 2 3	1 2 3 4	1 2 3 4 5 6
M K 0 5			K 0 5		



Brake principle

When stationary, with no pressure, springs move toothed shaft (A) to mesh with the teeth of crown (B) mounted in the valve cover, to immobilise the motor

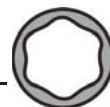
Parking brake torque with 0 bars in the housing (new brake)	3 500 Nm [2 581 lb.ft]
Minimum brake release pressure	12 bar [174,0 PSI]
Maximum brake release pressure	30 bar [435,1 PSI]
Capacity	0 cm ³ [0,0 cu.in]
Brake release capacity	15 cm ³ [0,9 cu.in]

Model code

Characteristics

Options





OPTIONS

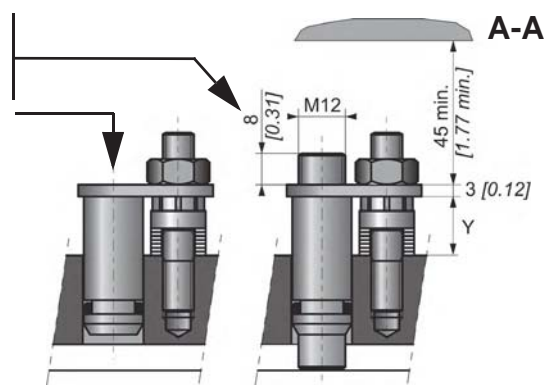
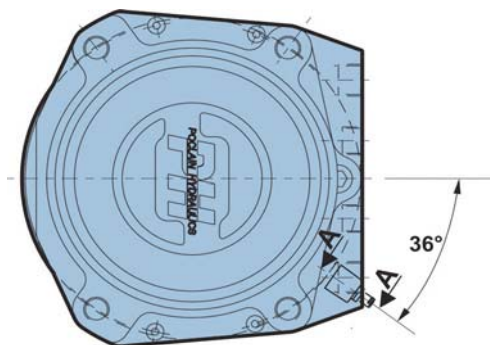
	C	D	F	P	S
	1	1 2 3	1 2 3	1 2 3 4	1 2 3 4 5 6
M K 0 5	<input type="checkbox"/>	<input type="checkbox"/> <input type="checkbox"/> <input type="checkbox"/>	<input type="checkbox"/> <input type="checkbox"/> <input type="checkbox"/>	<input type="checkbox"/> <input type="checkbox"/> <input type="checkbox"/> <input type="checkbox"/>	<input type="checkbox"/> <input type="checkbox"/> <input type="checkbox"/> <input type="checkbox"/> <input type="checkbox"/> <input type="checkbox"/>



You can accumulate more than one optional part. Consult your Poclain Hydraulics sales engineer.

2 - S - Q - 8 - Installed speed sensor or predisposition

Designation	C
T4 Speed sensor (without rotation direction)	2
TR Speed sensor (digital rotation direction)	S
TD Speed sensor (two phase shifted frequencies)	Q
Predisposition for Speed sensor	8



Max. length Y= 15.9
Standard number of pulses per revolution= 49



Look at the "Mobile Electronic" N° A01889D technical catalogue for the sensor specifications and its connection.



To install the sensor, see the "Installation guide" brochure No. 801478197L.

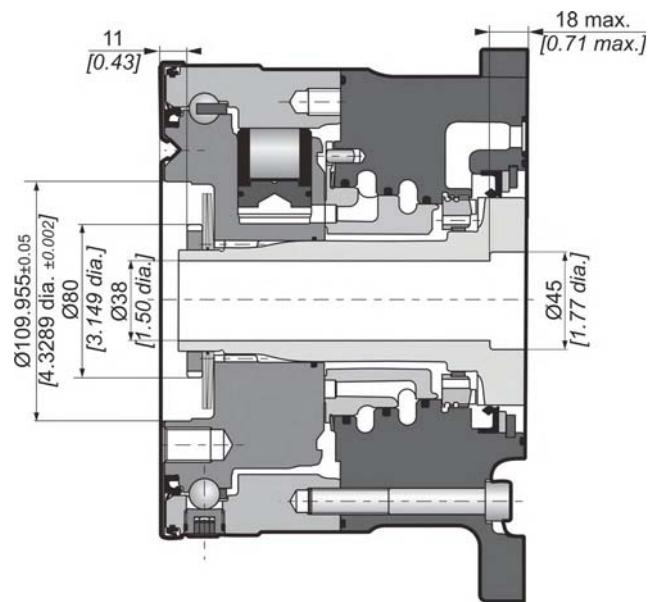
Model code

Characteristics

Options



A - Hollow shaft



The hollow shaft option is only available with the axial-supply version.



Model code

Characteristics

Options



Poclain Hydraulics reserves the right to make any modifications it deems necessary to the products described in this document without prior notification. The information contained in this document must be confirmed by Poclain Hydraulics before any order is submitted.

Illustrations are not binding.

The Poclain Hydraulics brand is the property of Poclain Hydraulics S.A.

-  10/01/2018
-  801 578 136Q
-  801 578 147C
-  801 578 158P
-  801 578 169B
-  801 578 180N
-  A09217T
- 
- 

